

E8 Draw Latch

Over-center · Adjustable

Features

- Adjustable grip
- Concealed mounting

Installation Notes

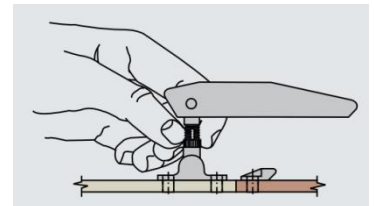
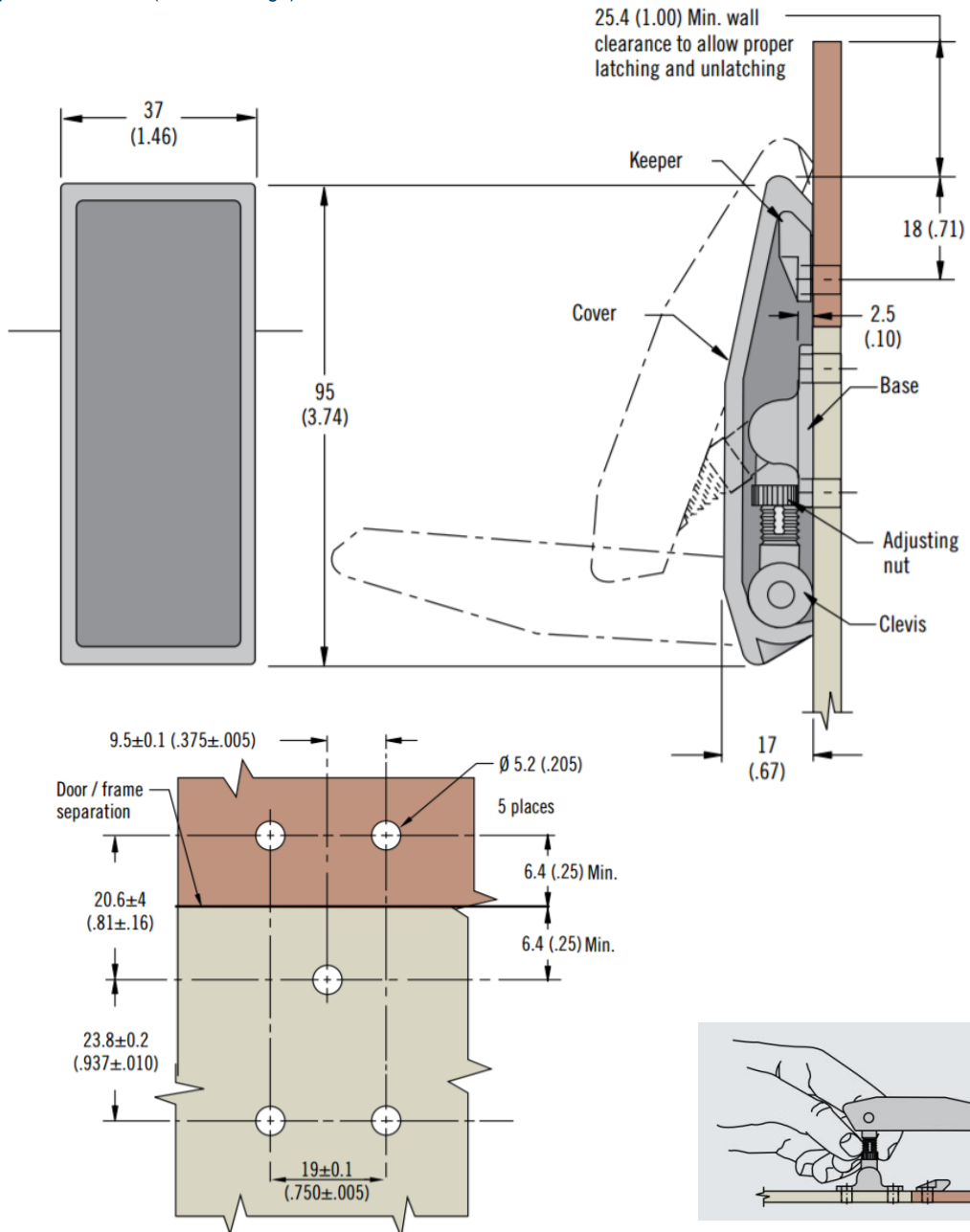
- Install assembly with five $\varnothing 5$ rivets or M5 screws (not supplied)
- To adjust latching force, thread adjustment nut up or down clevis (total 7.9 range)

Material

- Acetal black and glass reinforced nylon, black
- Adjusting nut: Stainless steel

Product Performance

- Max. working load: 1,560 N
- Operating temperature range: -29°C to 80°C
- Flammability rating: UL94-HB



Assembly complete with keeper

Part Number
E8-10-502-20